



Frame-Dependant Accessories Contents

[2 1/2" Accessories](#)

[2 7/8" Accessories](#)

[3 1/4" Accessories](#)

[4 1/8" Accessories](#)

[4 1/2" Accessories](#)

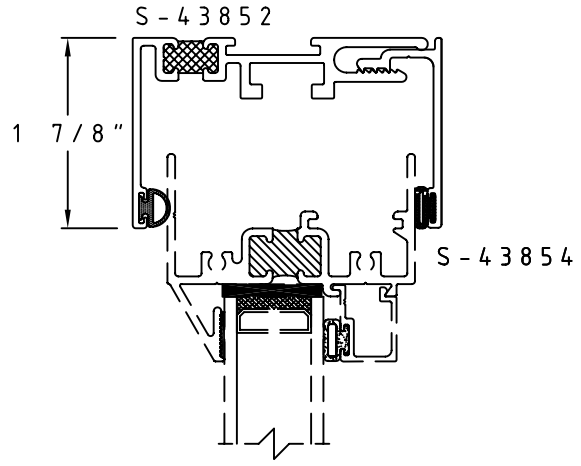
140 Eileen Way * Syosset, NY 11791 *T: 516-921-6200 * Fax: 516-921-6370

www.championwindows.com

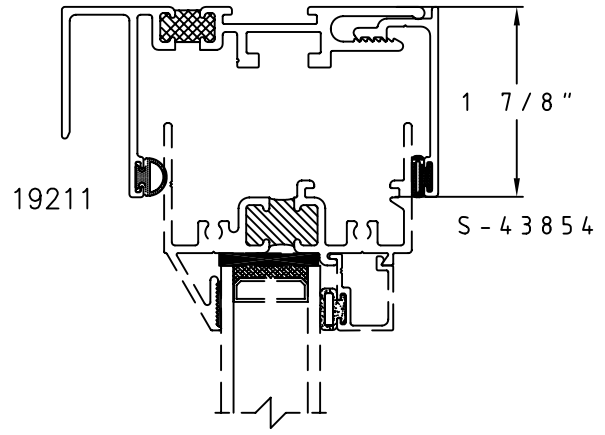
Champion-Frame Depth Dependant Accessories-2 1/2"

SCALE: HALF

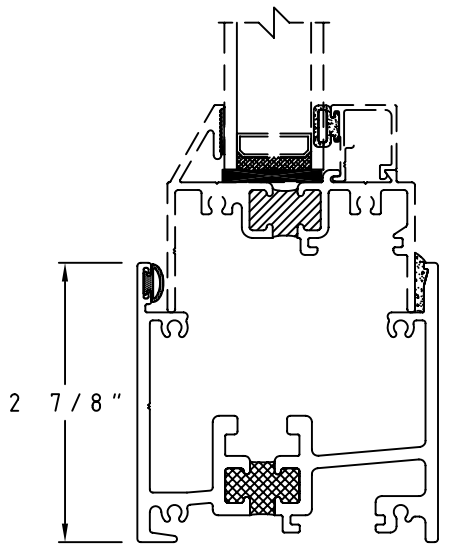
Sheet 1 of 4



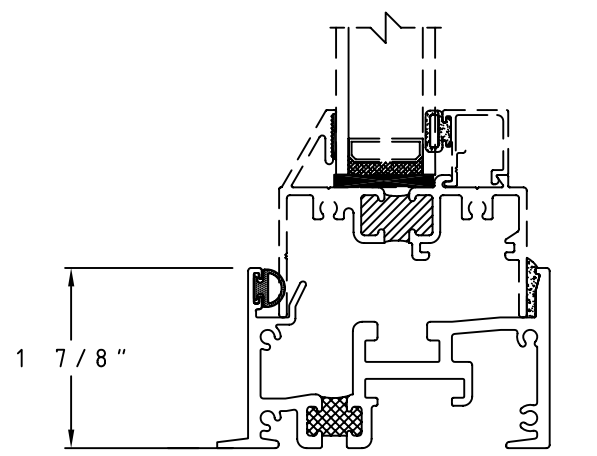
(R03) 2 1/2" Receptor



(R13) 2 1/2" Receptor w/Slab Cover Leg



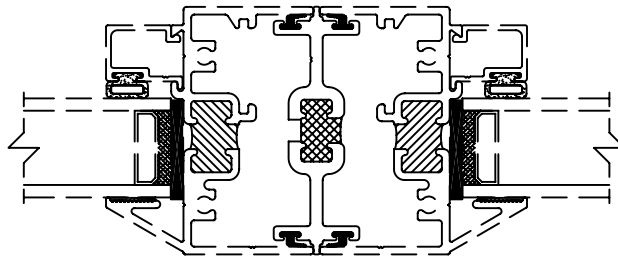
(R06) 2 1/2" Sub Sill



(R09) 2 1/2" Sub Sill Low

Champion Frame Depth Dependant Accessories

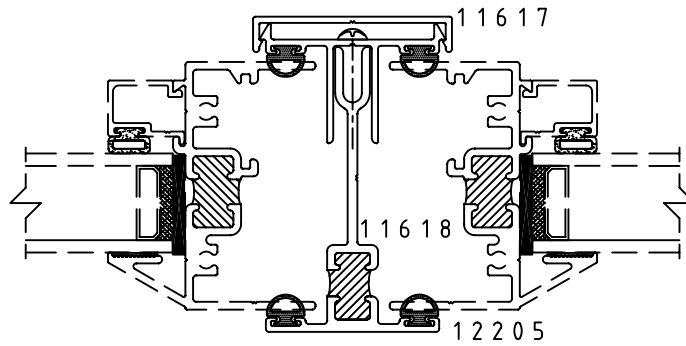
SCALE: HALF



(M20)

12073

H MULLION FOR 2 1/2" WINDOWS



(M07)

Used for 2 1/2" Series Windows

C
h
a
m
p
i
o
n

F
r
a
m
e

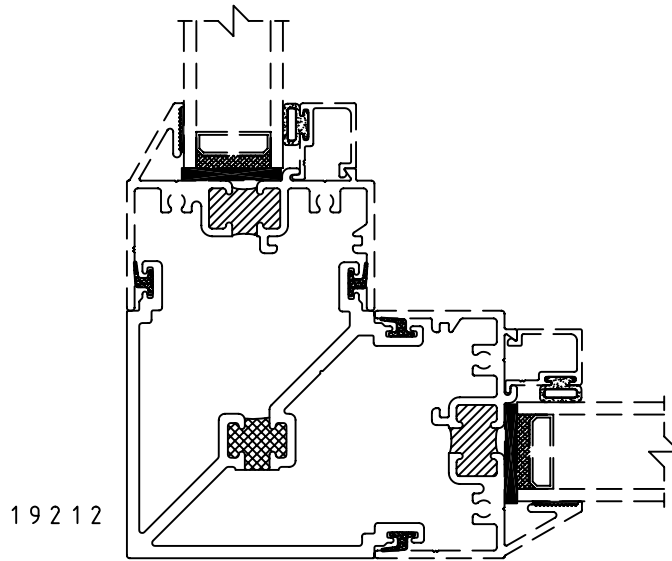
D
e
p
t
h

D
e
p
e
n
d
a
n
t

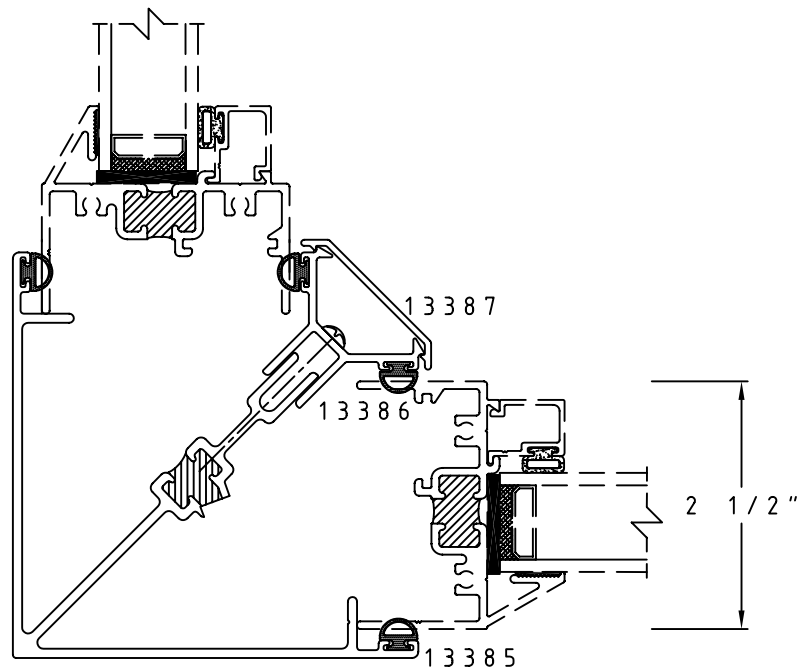
A
c
c
e
s
s
o
r
i
e
s

FOR ORDERING PURPOSES, REFER TO THE CAP AS: A
THE PRESSURE PLATE AS: B, AND THE MULLION AS: C

SCALE: HALF



(M20) Used for 2 1/2" Series Windows

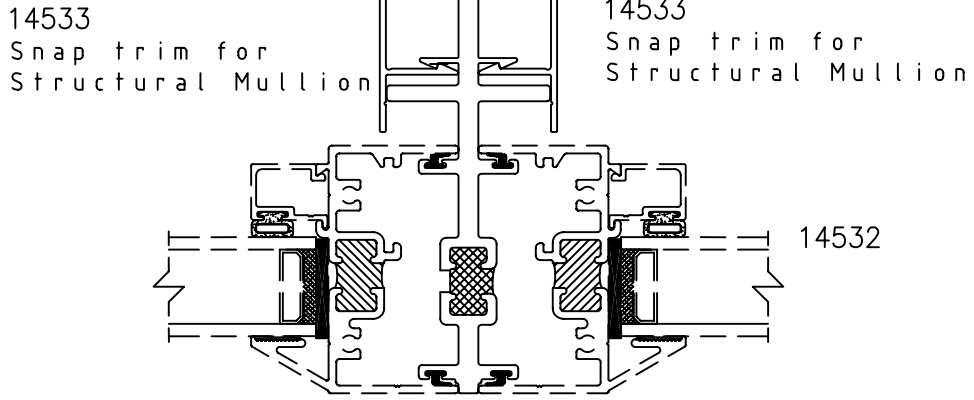


(M08) Used for 2 1/2" Series Windows

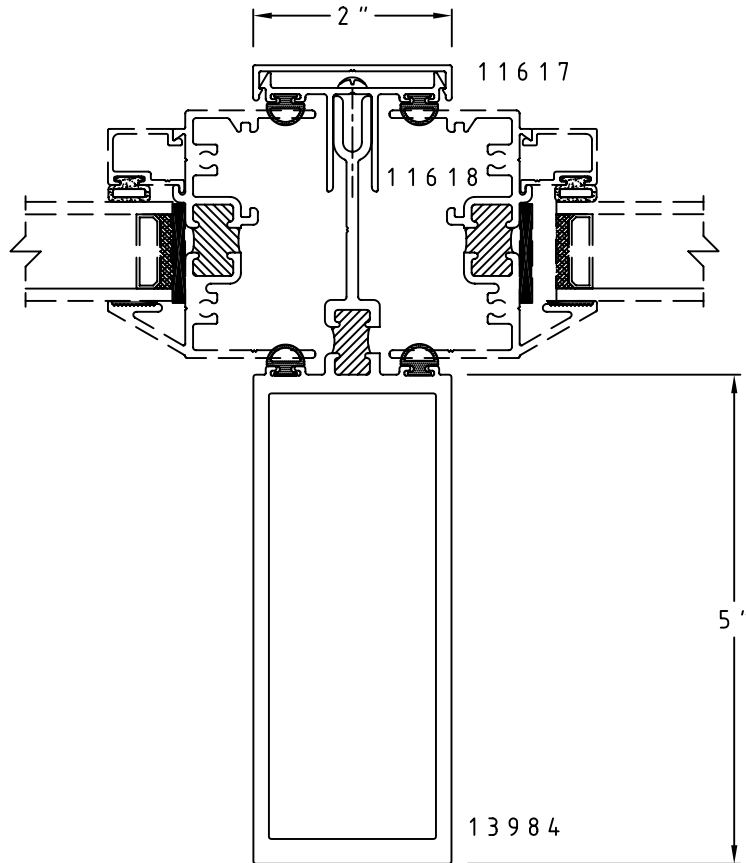
FOR ORDERING PURPOSES, REFER TO THE CAP AS: A
THE PRESSURE PLATE AS: B, AND THE MULLION AS: C

Champion Frame Depth Dependant Accessories

SCALE: HALF



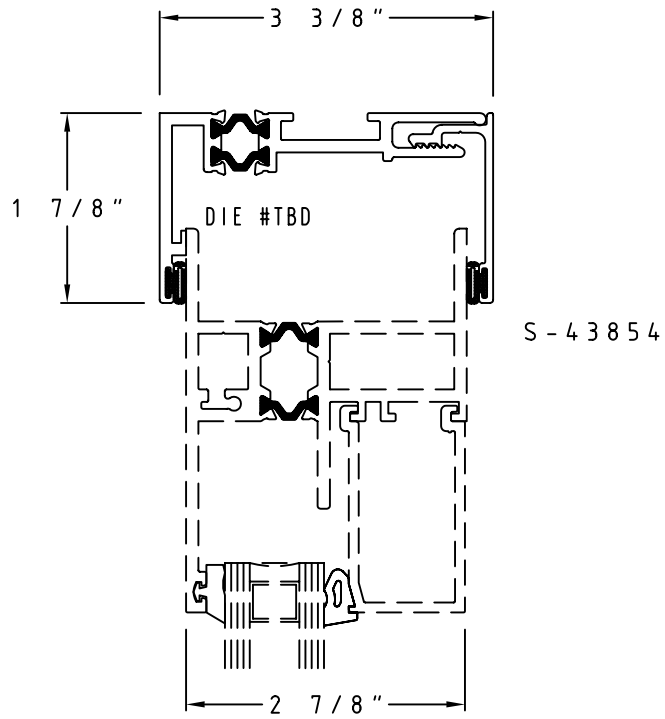
(M19) Structural Mullion w/Snap trim
For 2 1/2" window



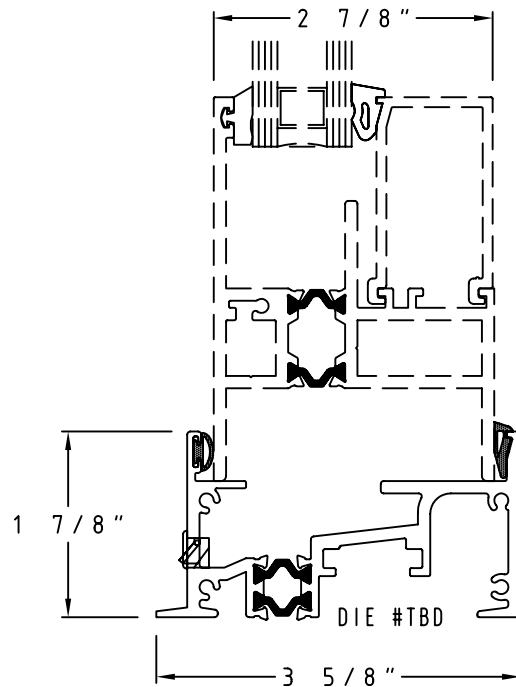
(M09) Used for 2 1/2" Series Windows

FOR ORDERING PURPOSES, REFER TO THE CAP AS: A
THE PRESSURE PLATE AS: B, AND THE MULLION AS: C

SCALE: HALF

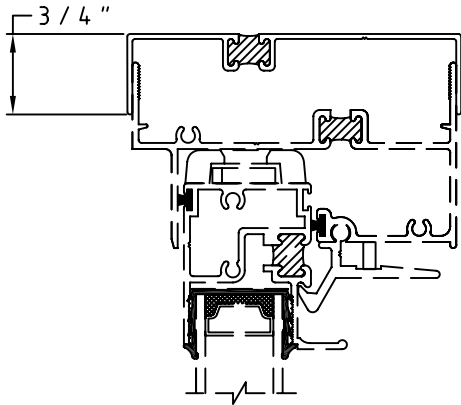


(R15) 2 7/8" Receptor

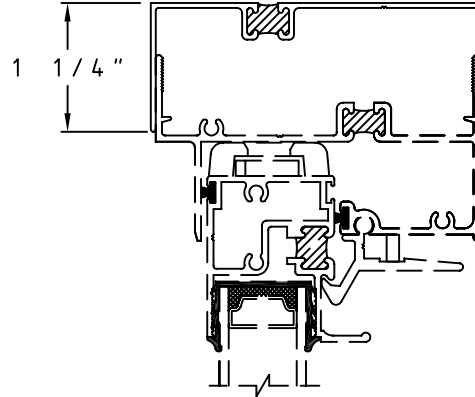


(R16) 2 7/8" Sub Sill

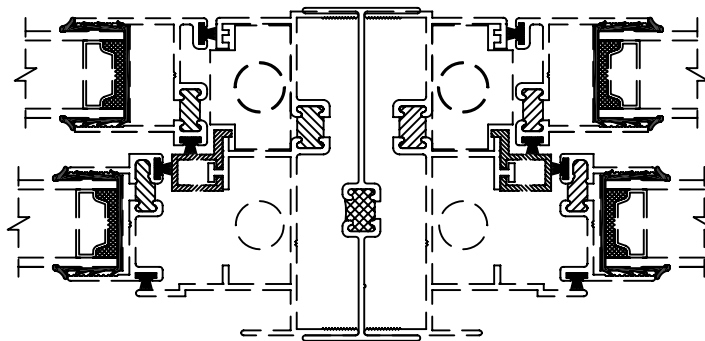
SCALE: HALF



(A23) 3/4" x 3 3/8" Head Expander



(A24) 1 1/4" x 3 3/8" Head Expander

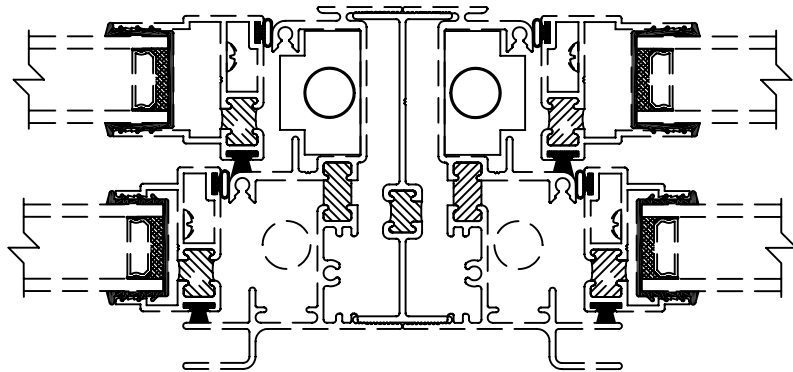


(M23)

11585

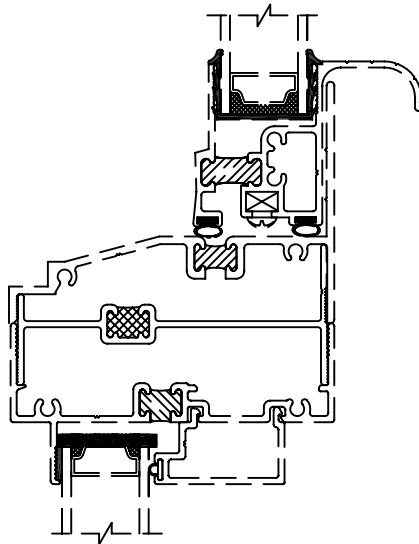
H-Mullion for 3 1/4" Window

SCALE: HALF



(M22) 11015

Tie-in Mullion for 3/4" Window



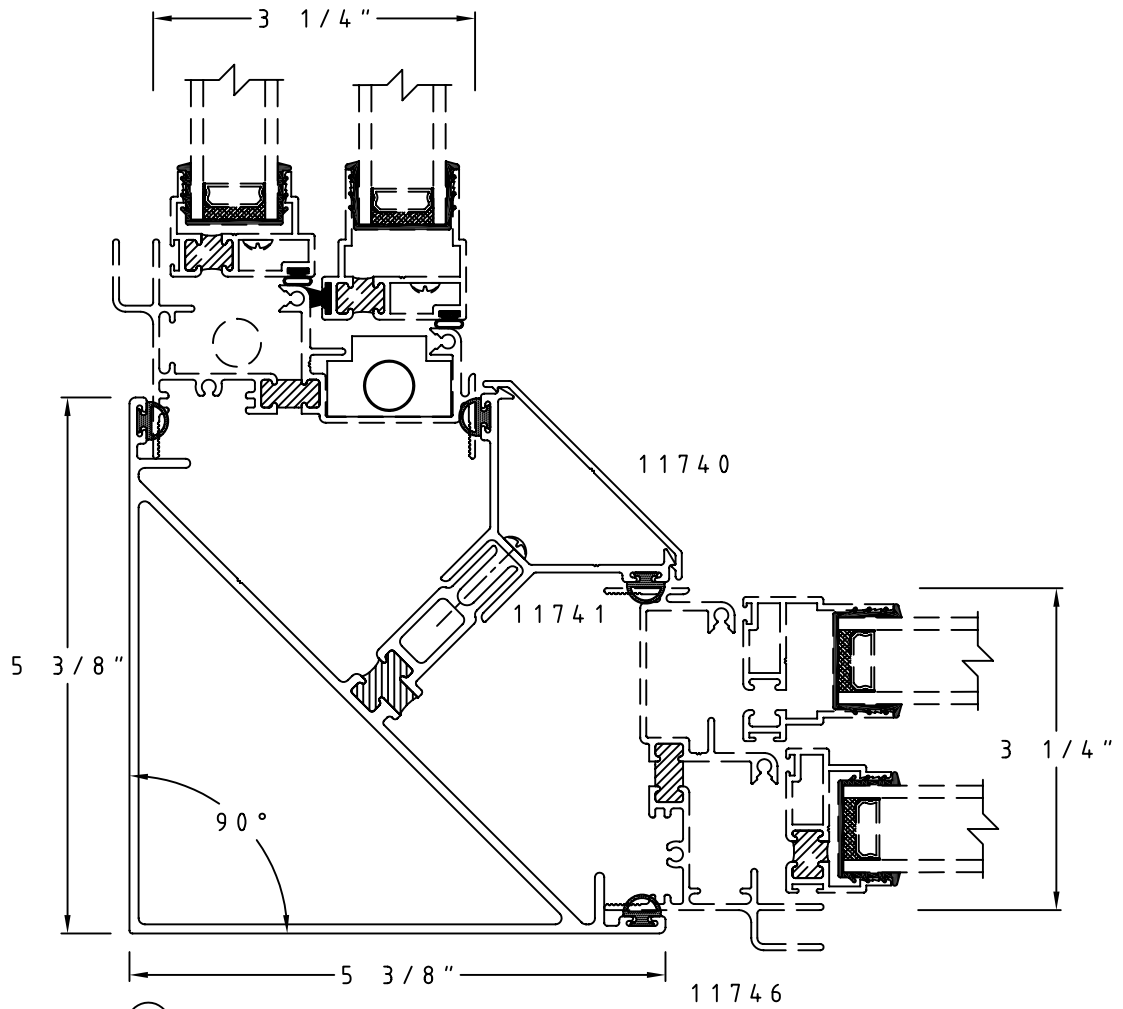
(M25)

11016
Stack Mullion for 3/4" Window

Champion-Frame Depth Dependant Accessories-3 1/4"

Sheet 3 of 4

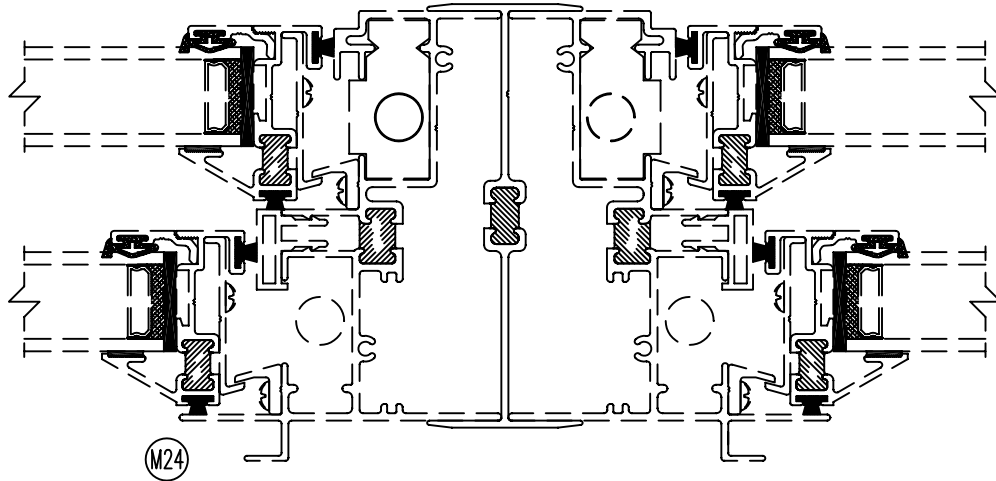
SCALE: HALF



(M10) Used for 3 1/4" Series Windows

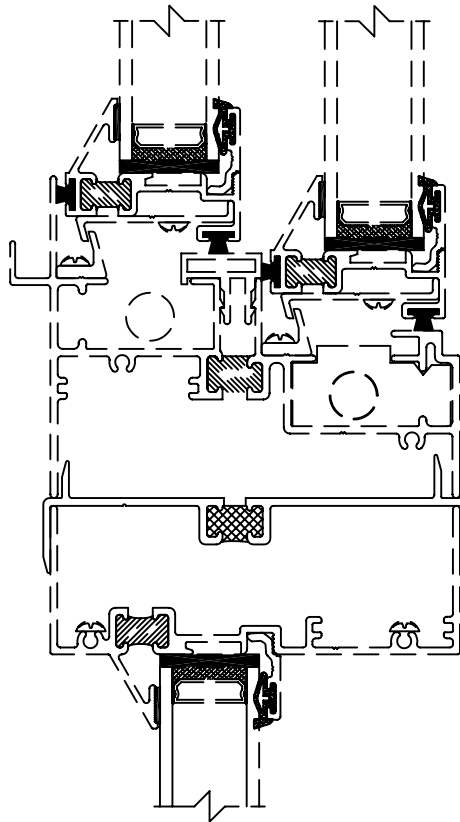
Champion Frame Depth Dependant Accessories

SCALE: HALF



9776

H-Mullion for 4 1/8" Window



10940

Stack Mullion for 4 1/8" Window

C
h
a
m
p
i
o
n

F
r
a
m
e

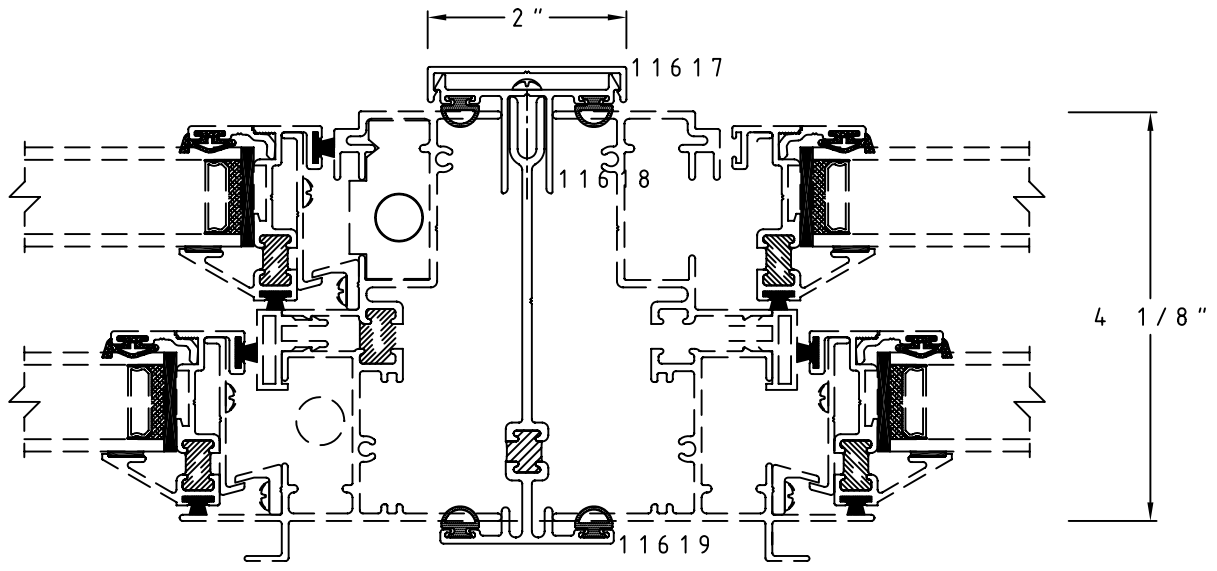
D
e
p
t
h

D
e
p
e
n
d
a
n
t

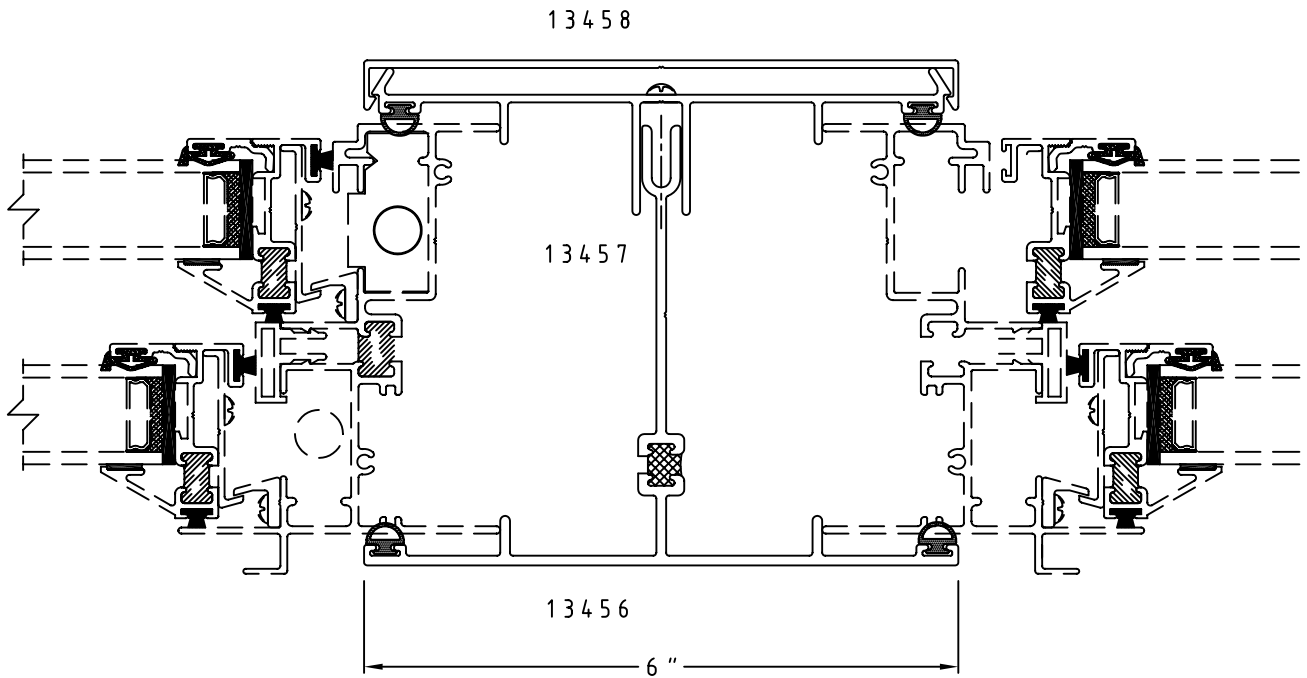
A
c
c
e
s
s
o
r
i
e
s

Champion-Frame Depth Dependant Accessories-4 1/8"

SCALE: HALF



(M05) Used for 4 1/8" Series Windows

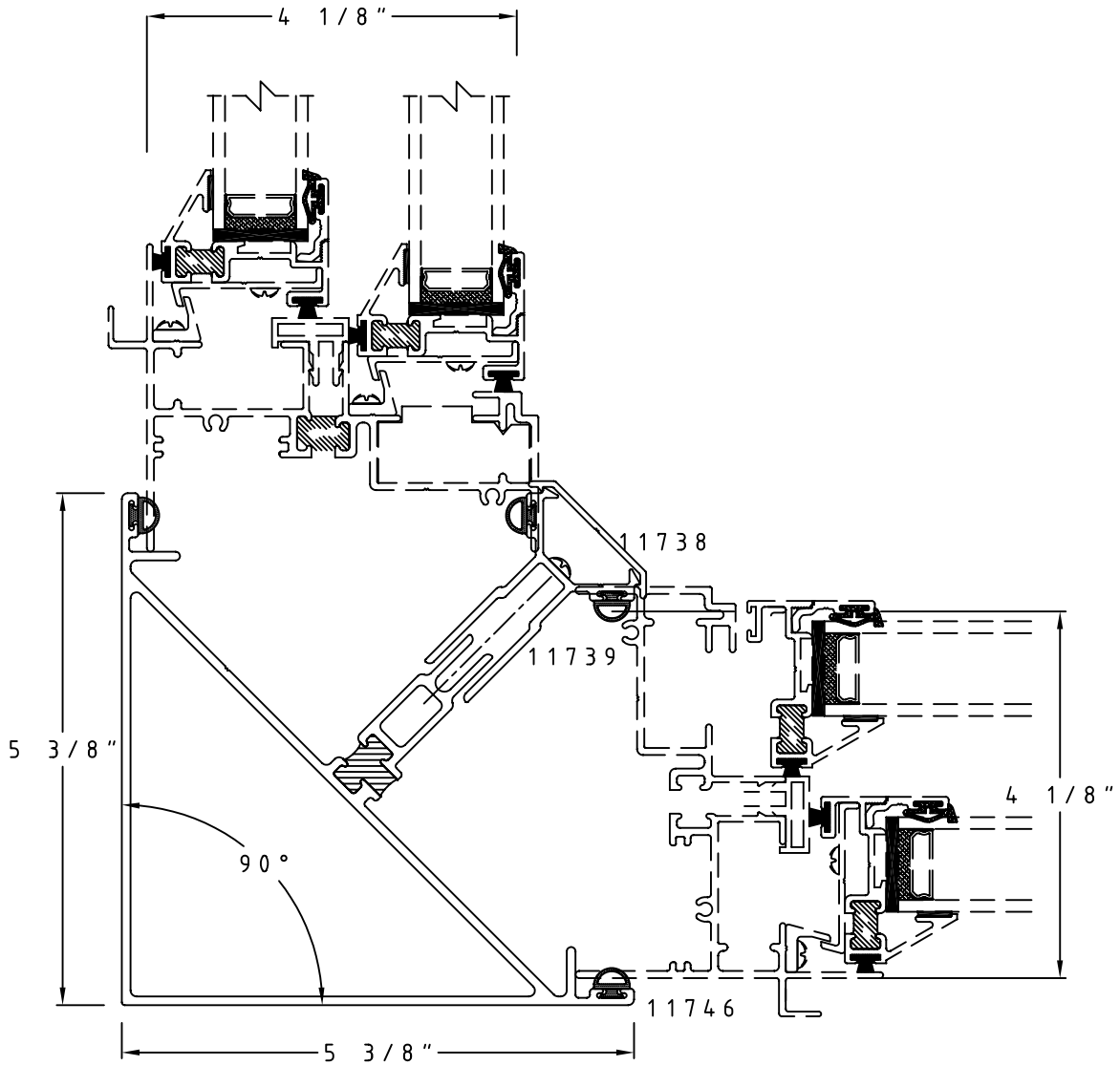


(M18) 6" Tee, Plate and cover for 4 1/8" window

Champion Frame Depth Dependant Accessories

Champion-Frame Depth Dependant Accessories-4 1/8"

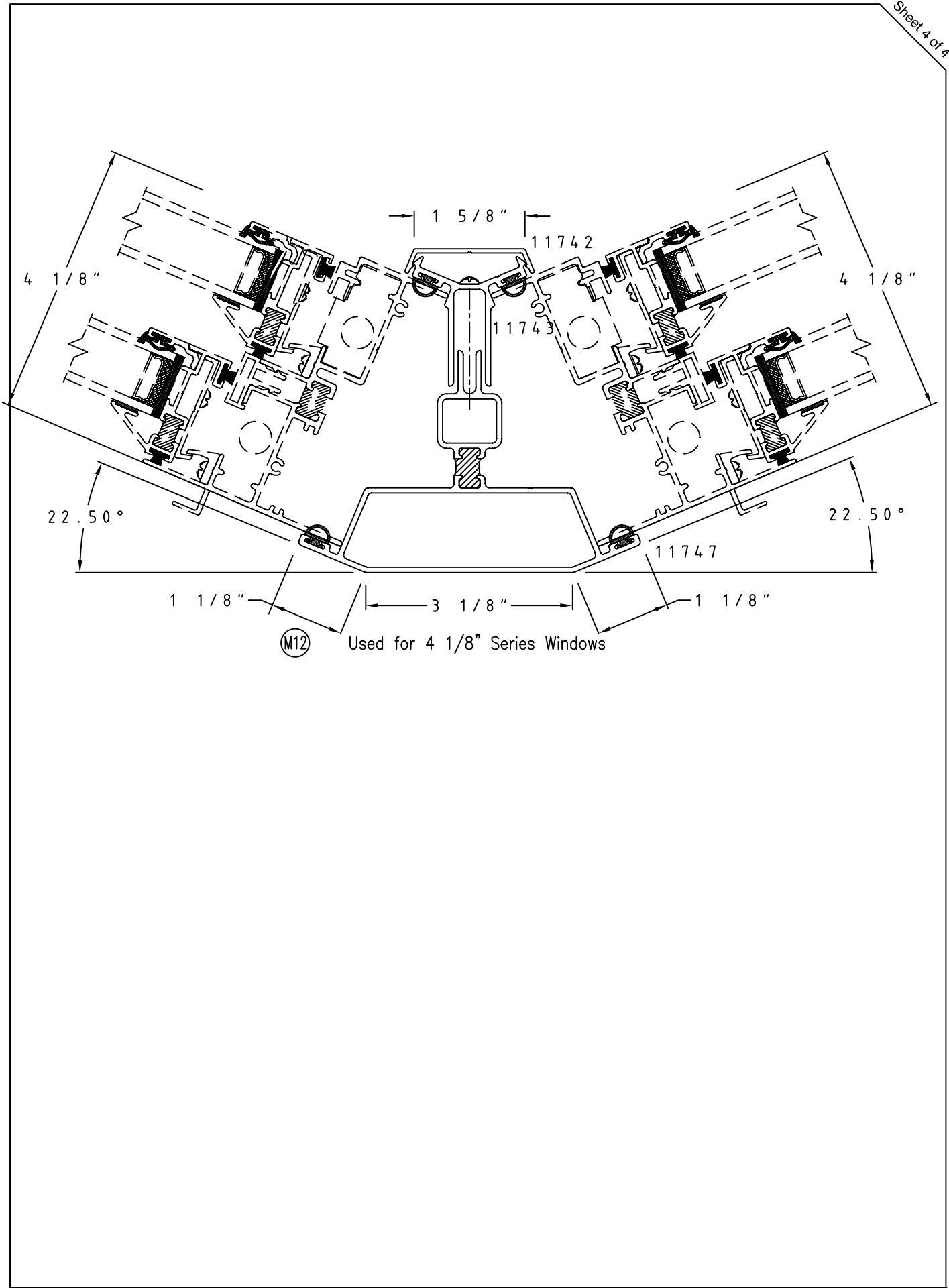
SCALE: HALF



(M13) Used for 4 1/8" Series Windows

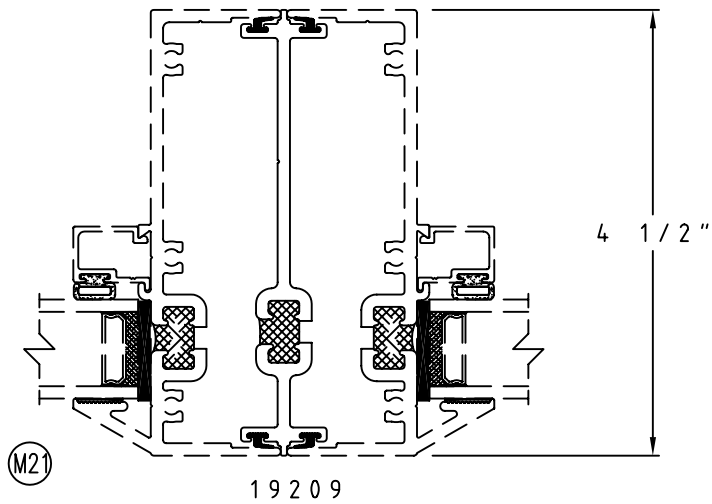
Champion-Frame Depth Dependant Accessories-4 1/8"

Sheet 4 of 4

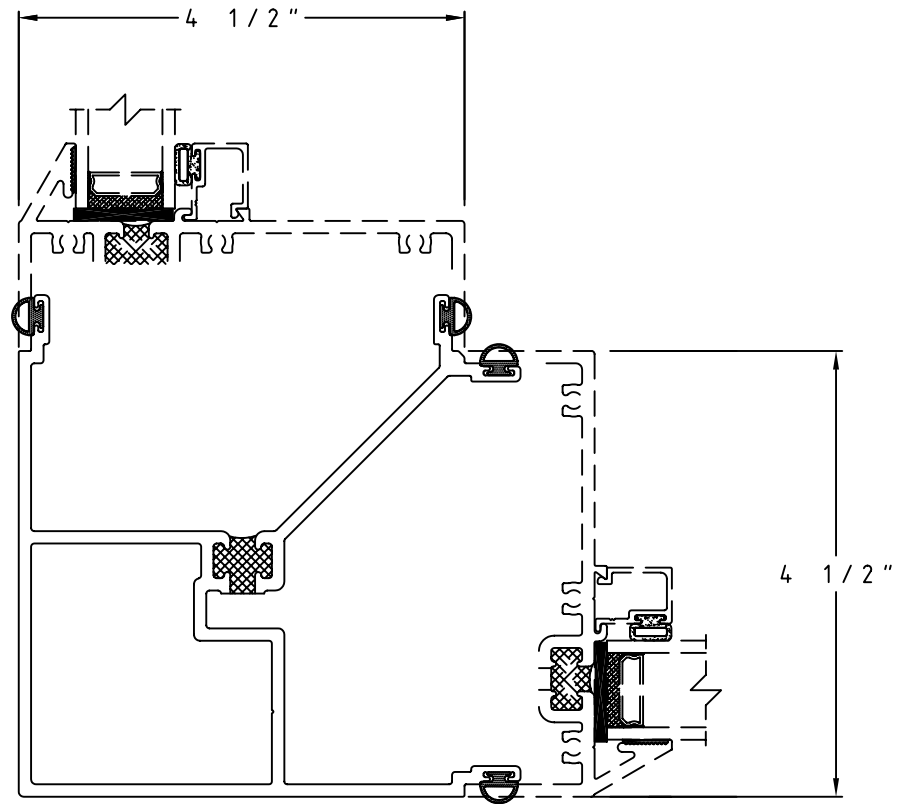


Champion Frame Depth Dependant Accessories

SCALE: HALF



19209
H MULLION FOR 4 1/2" WINDOWS



17616
Used for 4 1/2" Series Windows

C
h
a
m
p
i
o
n

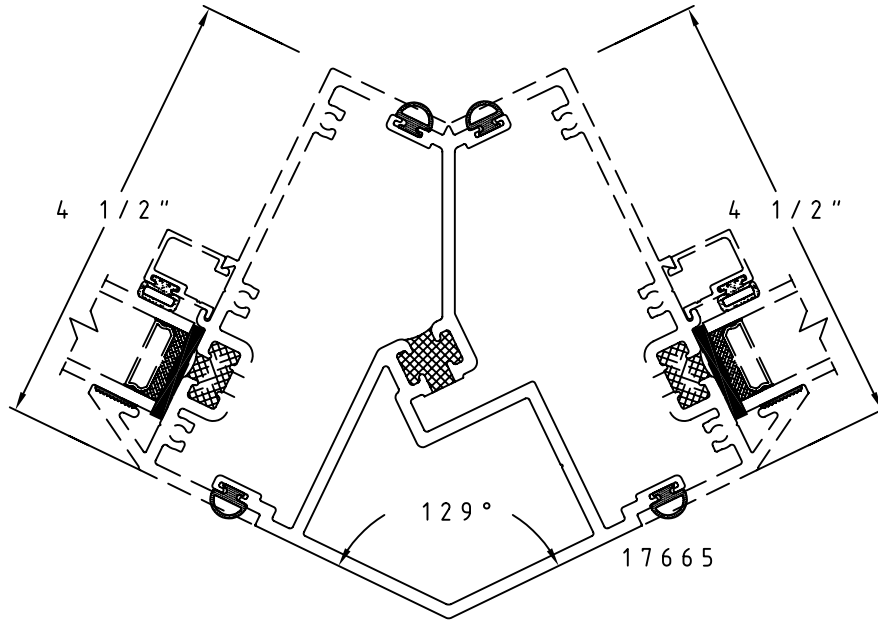
F
r
a
m
e

D
e
p
t
h

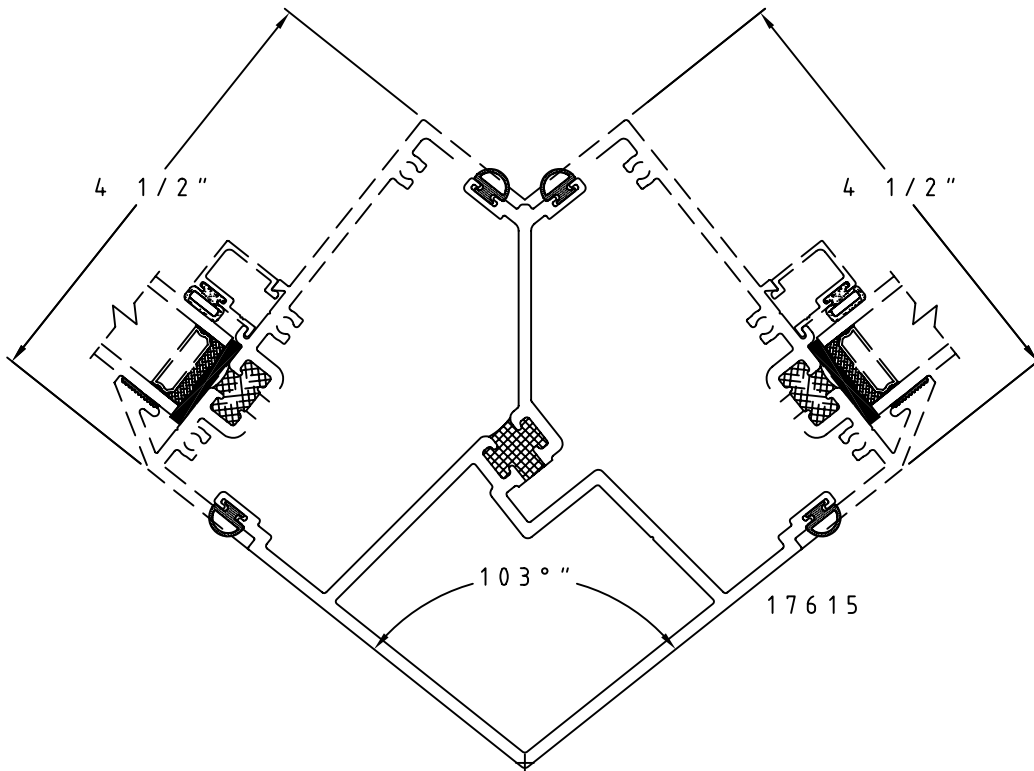
D
e
p
e
n
d
a
n
t

A
c
c
e
s
s
o
r
i
e
s

SCALE: HALF



(M14) Used for 4 1/2" Series Windows



(M15) Used for 4 1/2" Series Windows